



## Preassembled Column Wraps

| Contractor Series |  |  | Traditional Series |  |  | Craftsman Series |  |  |
|-------------------|--|--|--------------------|--|--|------------------|--|--|
|                   |  |  |                    |  |  |                  |  |  |
|                   |  |  |                    |  |  |                  |  |  |

| PROFILE # | PROFILE DESCRIPTION | ACTUAL INSIDE DIMENSION | ACTUAL OUTSIDE DIMENSION | AVAILABLE LENGTHS | QTY PER UNIT |
|-----------|---------------------|-------------------------|--------------------------|-------------------|--------------|
| 9807      | 4 x 4 Column Wrap   | 3 3/4" x 3 3/4"         | 4 3/4" x 4 3/4"          | 8'6", 10' & 12'   | 24           |
| 9811      | 6 x 6 Column Wrap   | 5 3/4" x 5 3/4"         | 6 3/4" x 6 3/4"          | 8'6", 10' & 12'   | 15           |
| 9815      | 8 x 8 Column Wrap   | 8 1/2" x 8 1/2"         | 9 1/2" x 9 1/2"          | 8'6", 10' & 12'   | 8            |
| 9829      | 12 x 12 Column Wrap | 10 1/4" x 10 1/4"       | 11 1/4" x 11 1/4"        | 8'6", 10' & 12'   | 6            |

Capital and Base sets sold separately. Available in all three series for all size column wraps.

Available Colors:  White  Sand Dune  Tuscan Tan

| PROFILE # | PROFILE DESCRIPTION            | PCS PER UNIT | PROFILE # | PROFILE DESCRIPTION              | PCS PER UNIT |
|-----------|--------------------------------|--------------|-----------|----------------------------------|--------------|
| 9854      | 4 x 4 Contractor Cap/Base Set  | 8            | 9856      | 8 x 8 Contractor Cap/Base Set    | 8            |
| 9855      | 6 x 6 Contractor Cap/Base Set  | 5            | 9857      | 12 x 12 Contractor Cap/Base Set  | 6            |
| 9850      | 4 x 4 Traditional Cap/Base Set | 8            | 9852      | 8 x 8 Traditional Cap/Base Set   | 8            |
| 9851      | 6 x 6 Traditional Cap/Base Set | 5            | 9853      | 12 x 12 Traditional Cap/Base Set | 6            |
| 9858      | 4 x 4 Craftsman Cap/Base Set   | 8            | 9860      | 8 x 8 Craftsman Cap/Base Set     | 8            |
| 9859      | 6 x 6 Craftsman Cap/Base Set   | 5            | 9861      | 12 x 12 Craftsman Cap/Base Set   | 6            |

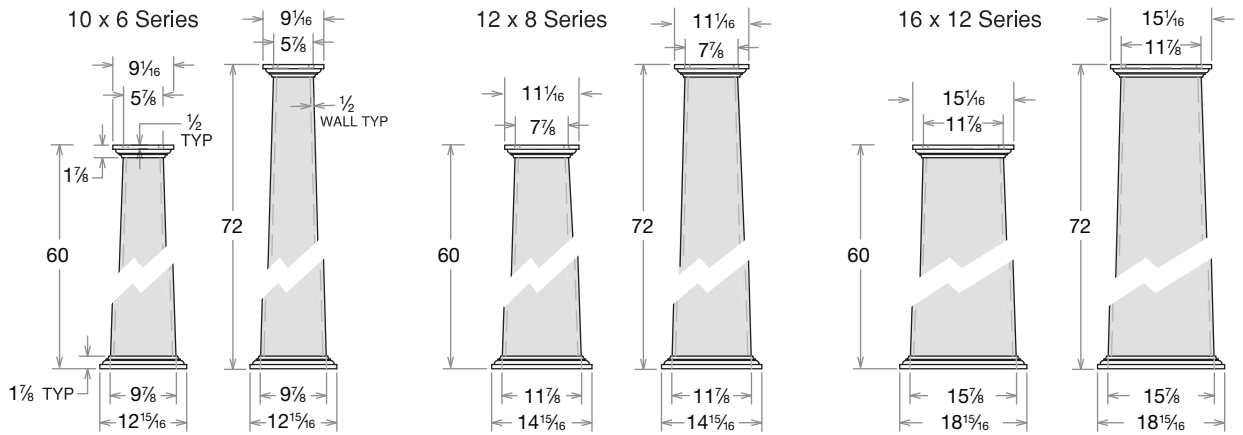
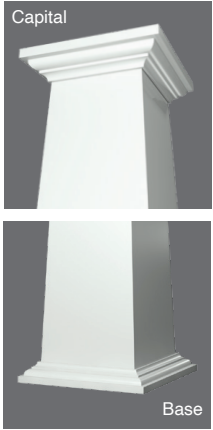
Column Wraps are Non-Load Bearing.

## Knock Down Column Wraps

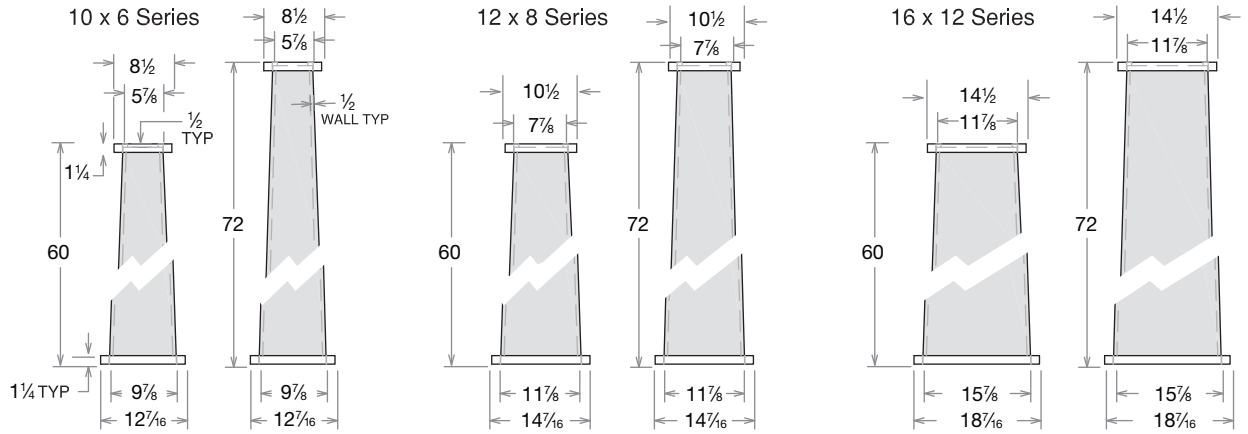
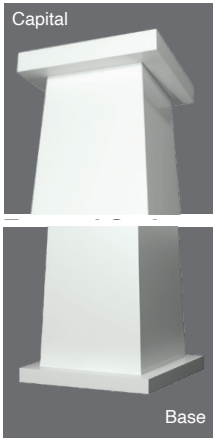
| PROFILE # | PROFILE DESCRIPTION          | ACTUAL INSIDE DIMENSION | ACTUAL OUTSIDE DIMENSION | AVAILABLE LENGTHS | QTY PER UNIT |
|-----------|------------------------------|-------------------------|--------------------------|-------------------|--------------|
| 9807      | 4 x 4 Knock Down Column Wrap | 3 3/4" x 3 3/4"         | 4 3/4" x 4 3/4"          | 8'5" & 10'        | 28           |
| 9811      | 6 x 6 Knock Down Column Wrap | 5 3/4" x 5 3/4"         | 6 3/4" x 6 3/4"          | 8'5" & 10'        | 25           |
| 9815      | 8 x 8 Knock Down Column Wrap | 8 1/2" x 8 1/2"         | 9 1/2" x 9 1/2"          | 8'5" & 10'        | 24           |

Available Color:  White

# Knock Down Tapered Column Wraps - Traditional Series



# Knock Down Tapered Column Wraps - Craftsman Series



| PROFILE # | PROFILE DESCRIPTION         | ACTUAL INSIDE DIMENSION   | ACTUAL OUTSIDE DIMENSION  | AVAILABLE LENGTHS | QTY PER UNIT |
|-----------|-----------------------------|---|---|-------------------|--------------|
| 9959      | 10 X 6 Tapered Column Wrap  | 8 <sup>7</sup> / <sub>8</sub> " x 4 <sup>7</sup> / <sub>8</sub> "   | 9 <sup>7</sup> / <sub>8</sub> " x 5 <sup>7</sup> / <sub>8</sub> "   | 5' & 6'           | 9            |
| 9963      | 12 X 8 Tapered Column Wrap  | 10 <sup>7</sup> / <sub>8</sub> " x 6 <sup>7</sup> / <sub>8</sub> "  | 11 <sup>7</sup> / <sub>8</sub> " x 7 <sup>7</sup> / <sub>8</sub> "  | 5' & 6'           | 9            |
| 9967      | 16 X 12 Tapered Column Wrap | 14 <sup>7</sup> / <sub>8</sub> " x 10 <sup>7</sup> / <sub>8</sub> " | 15 <sup>7</sup> / <sub>8</sub> " x 11 <sup>7</sup> / <sub>8</sub> " | 5' & 6'           | 10           |

| PROFILE #          | PROFILE DESCRIPTION          | CAP DIMENSION  | BASE DIMENSION  | QTY PER UNIT    |
|--------------------|------------------------------|--|---|-----------------|
| <b>Traditional</b> |                              |  |   |                 |
| 9984               | 10 X 6 Tapered Cap/Base Set  | 9 <sup>1</sup> / <sub>16</sub> " x 5 <sup>7</sup> / <sub>8</sub> "   | 12 <sup>15</sup> / <sub>16</sub> " x 9 <sup>7</sup> / <sub>8</sub> "  | Order as Needed |
| 9985               | 12 X 8 Tapered Cap/Base Set  | 11 <sup>1</sup> / <sub>16</sub> " x 7 <sup>7</sup> / <sub>8</sub> "  | 14 <sup>15</sup> / <sub>16</sub> " x 11 <sup>7</sup> / <sub>8</sub> " |                 |
| 9986               | 16 X 12 Tapered Cap/Base Set | 15 <sup>1</sup> / <sub>16</sub> " x 11 <sup>7</sup> / <sub>8</sub> " | 18 <sup>1</sup> / <sub>16</sub> " x 15 <sup>7</sup> / <sub>8</sub> "  |                 |
| <b>Craftsman</b>   |                              |  |   |                 |
| 9984               | 10 X 6 Tapered Cap/Base Set  | 8 <sup>1</sup> / <sub>2</sub> " x 5 <sup>7</sup> / <sub>8</sub> "    | 12 <sup>7</sup> / <sub>16</sub> " x 9 <sup>7</sup> / <sub>8</sub> "   | Order as Needed |
| 9985               | 12 X 8 Tapered Cap/Base Set  | 10 <sup>1</sup> / <sub>2</sub> " x 7 <sup>7</sup> / <sub>8</sub> "   | 14 <sup>7</sup> / <sub>16</sub> " x 11 <sup>7</sup> / <sub>8</sub> "  |                 |
| 9986               | 16 X 12 Tapered Cap/Base Set | 14 <sup>1</sup> / <sub>2</sub> " x 11 <sup>7</sup> / <sub>8</sub> "  | 18 <sup>7</sup> / <sub>16</sub> " x 15 <sup>7</sup> / <sub>8</sub> "  |                 |